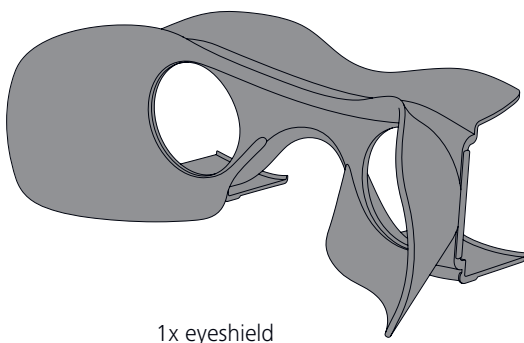


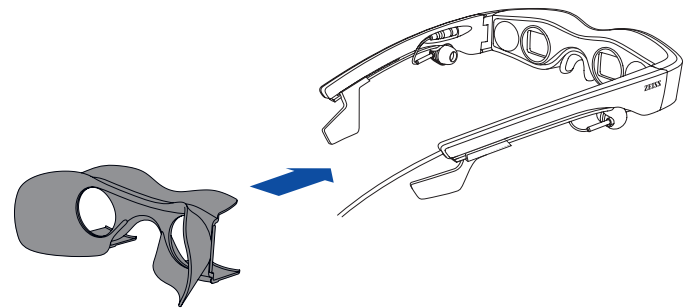


[www.zeiss.com/cinemizer/eyeshield](http://www.zeiss.com/cinemizer/eyeshield)

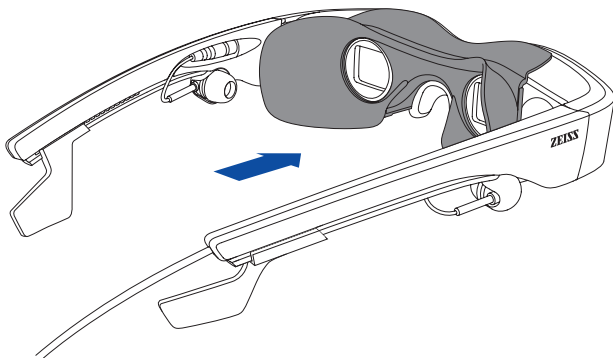
### 1 Package contents



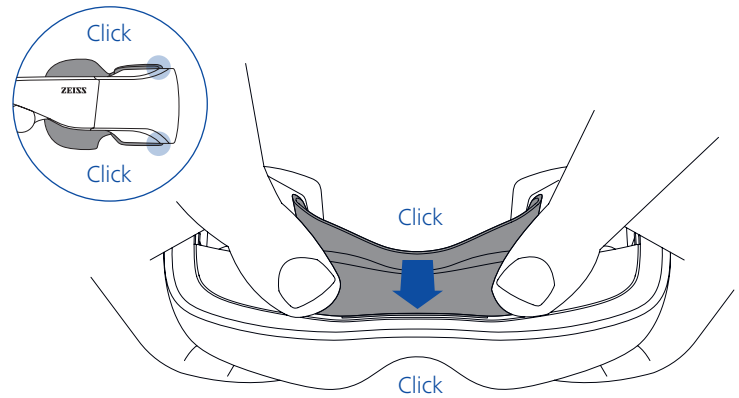
### 2 The eyeshield supplements the cinemizer



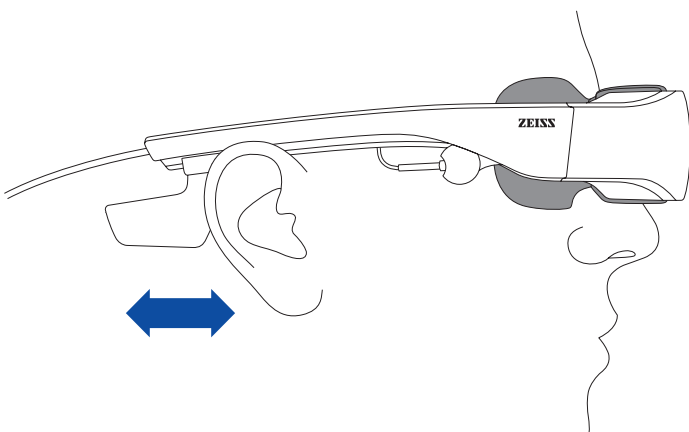
### 3 Position and fasten the eyeshield onto the cinemizer



### 4 Eyeshield hooks snap into grooves on top and bottom



### 5 Adjust the cinemizer with eyeshield to fit your head size

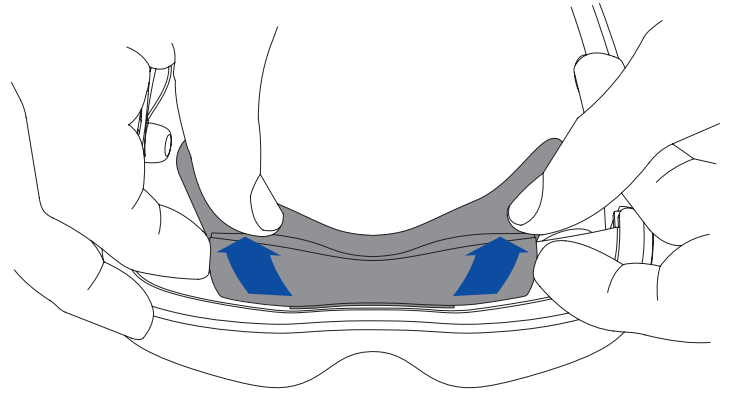
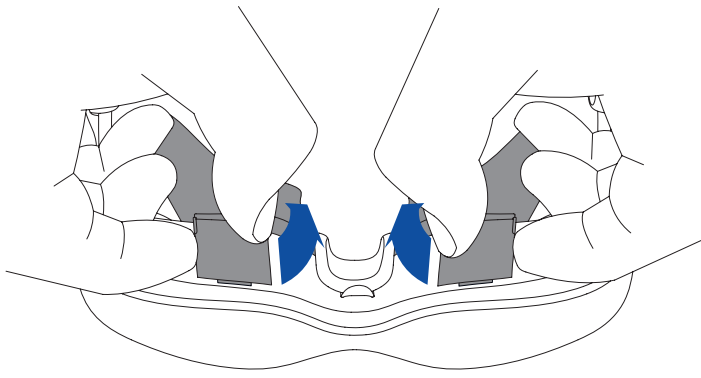


### 6 Optimized cinemizer performance thanks to eyeshield

- Focus without distractions (outdoor usage possible)
- Block out light
- Immersive virtual experience

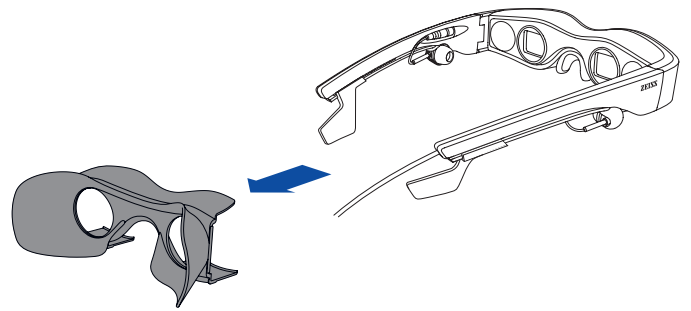
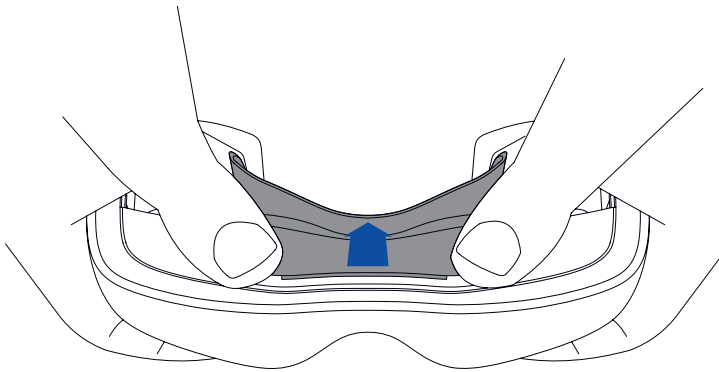
7 Disconnect eyeshield: Pull hooks out of groove on bottom

8 Disconnect eyeshield: Pull hook out of groove on top



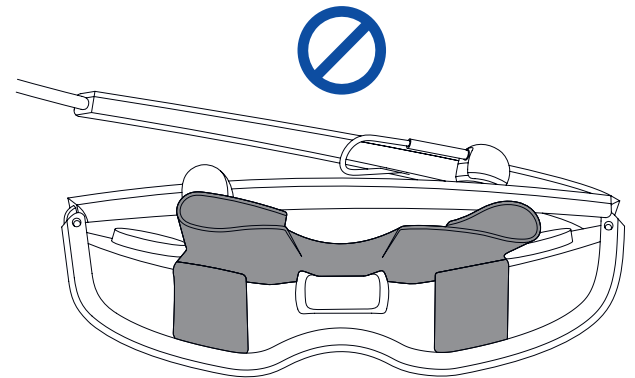
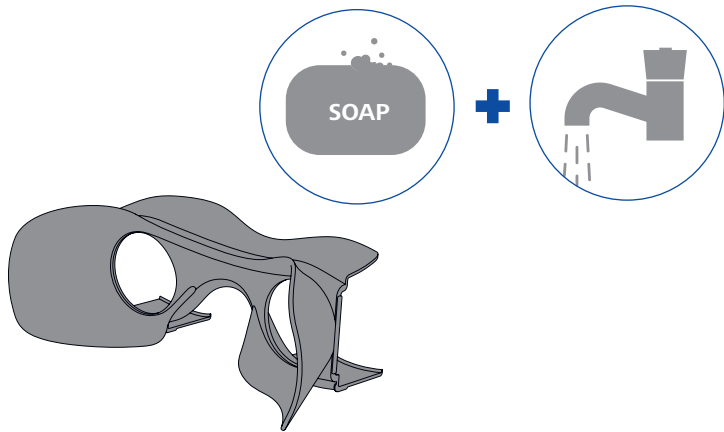
9 Disconnect eyeshield: Pull back eyeshield carefully

10 Remove eyeshield for cleaning or storage



11 Clean eyeshield with soap and water

12 Do not deform eyeshield for storage



© Copyright Carl Zeiss AG 2013

Version 1

cinemizer® is a registered trademark of Carl Zeiss

Designed by Carl Zeiss in Germany

Made in China

